

Hydraulically Actuated Diaphragm Pump

WILROY™

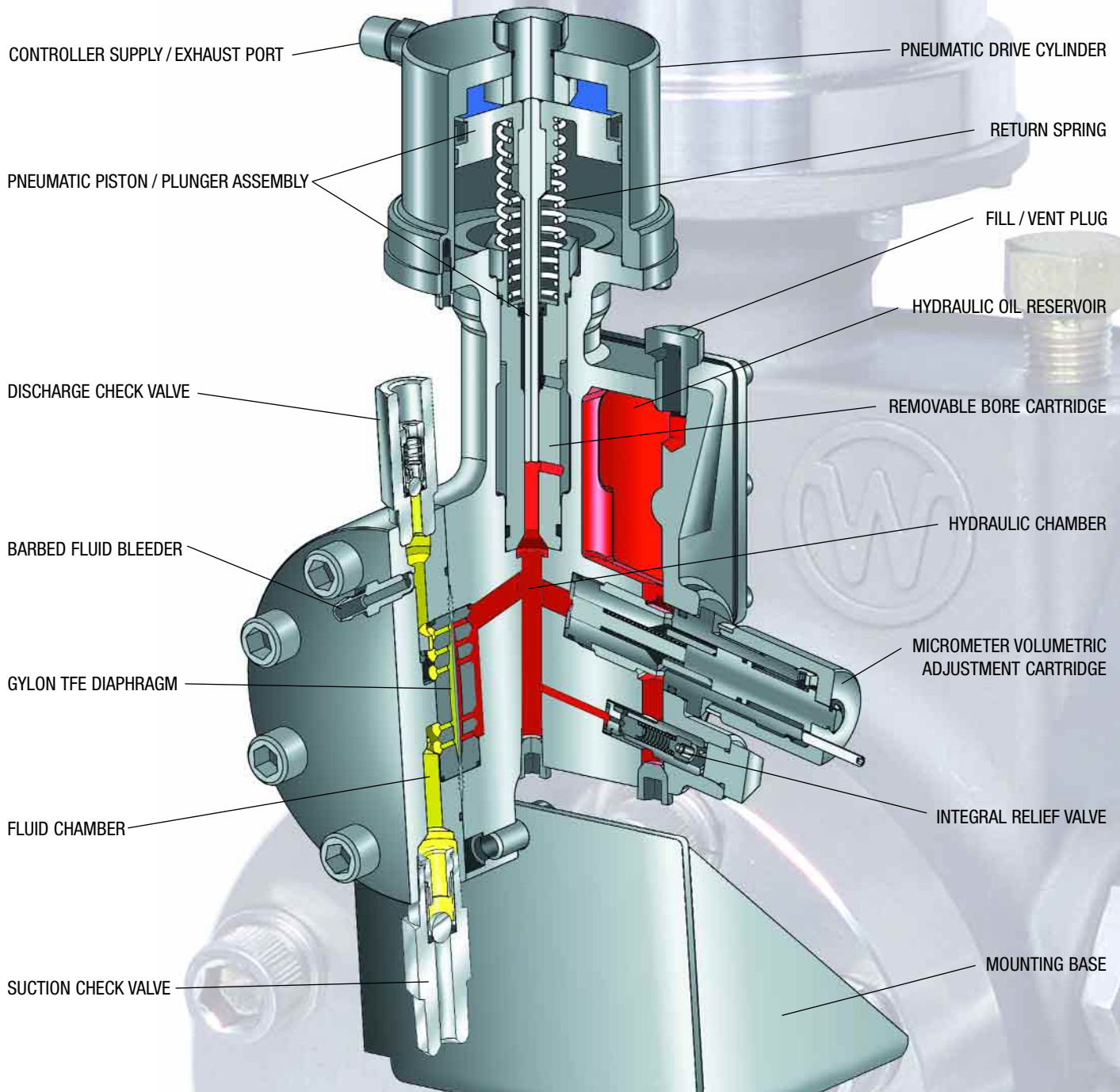


WILLIAMS
MILTON ROY



WILLIAMS

MILTON ROY



PART MODEL NUMBER

WRA 1 - 11 2M NN SE BB

WRA 1: 316 SS

Model Construction

11: MK XIIA

Control Method

2N: .250" plunger, no stroke adjuster
 5N: .500" plunger, no stroke adjuster
 2M: .250" plunger with 316 SS micrometer knob
 5M: .500" plunger with 316 SS micrometer knob

Plunger Configuration

NN: None
 BB: Base

Connections

SE: NPT
 Note: 2M=1/4" NPT (F) Discharge, 1/4" NPT (M) Suction
 5M=1/4" NPT (F) Discharge, 1/2" NPT (M) Suction

Diaphragm Rupture Detection

NN: None
 C5: Rupture Detection Bracket & Gauge
 SN: Rupture Detection Gauge & Nema 4 switch
 S7: Rupture Detection Gauge & Nema 7 switch

Williams and Milton Roy have combined technologies to design a pump blending the proven mRoy® hydraulic by-pass diaphragm design with the Williams “V” Series pump. The result is the low volume, high turndown characteristics of a pneumatic drive coupled with the chemical containment and high pressure capabilities of a hydraulically actuated diaphragm.

The *WILROY™* is a hydraulically actuated diaphragm pump which delivers chemical containment, low maintenance, overpressurization protection with unsurpassed accuracy and repeatability. We invite you to look at how we can meet your chemical injection needs with proven solutions from Williams Milton Roy.

The Best of Both Worlds

Features

- 316 SS exposure
- Integral relief valve
- Low maintenance robust design
- Two sizes in one housing — Field reconfigurable
- Compact size for ease of installation
- Gylon® diaphragm for diverse compatibility
- Centralized design for ease of maintenance & operation
- Optimum chemical containment

Operation

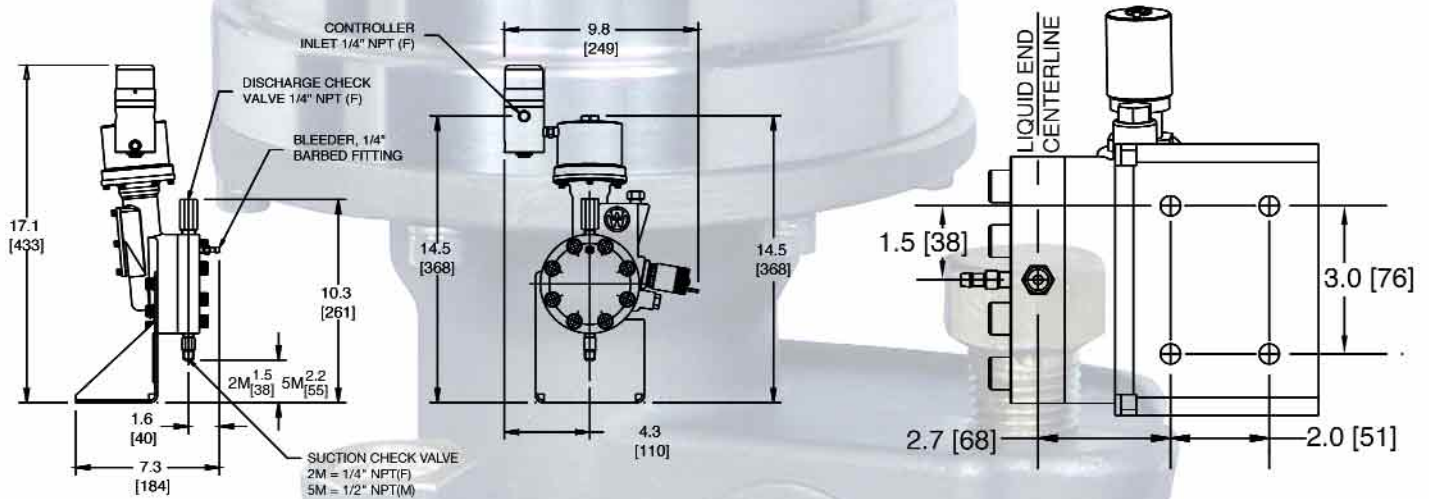
The WILROY Pump comes with either a 1/4" (WILROY 2M) or 1/2" (WILROY 5M) plunger. Operated by controller or solenoid, the pump is manufactured with a totally sealed hydraulic chamber, removable bore cartridge and integral air bleed mechanism. Along with a serviceable diaphragm, the pump's design assures relatively simple maintenance and operation. The WILROY's amplification ratio allows the pump to inject chemical against process fluids much greater than the air/gas supply pressure. The plunger displaces the hydraulic fluid in the intermediate chamber that in turn displaces the diaphragm. The diaphragm displaces the chemical and injects a precise amount of chemical into the process.

Optional Diaphragm Rupture Detection

The WILROY™ diaphragm liquid ends are, by design, leakproof and durable. In some applications however, added assurance is desired to protect the pump internals from extremely hostile chemicals, or protect the process from potential contamination by hydraulic fluids, or to provide additional containment of the chemicals from being released to the environment.

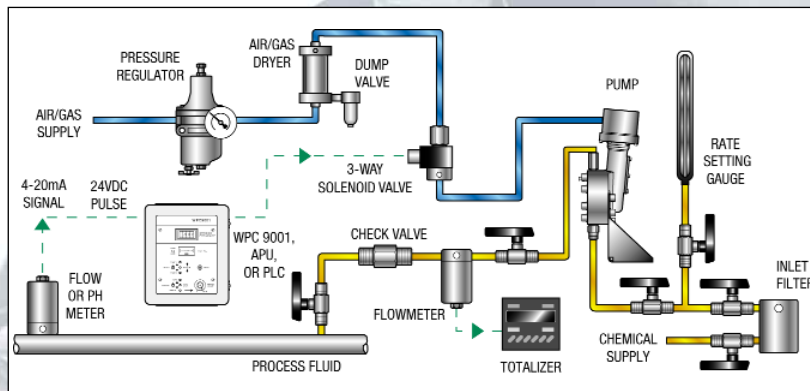


dimensions

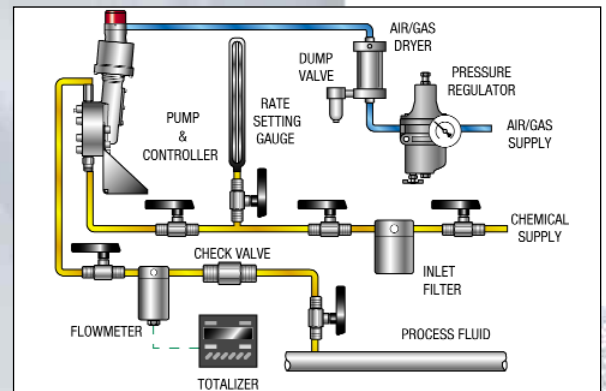


All measurements are inches / millimeters unless otherwise noted.

typical installation



FlowTracking Controller Configuration



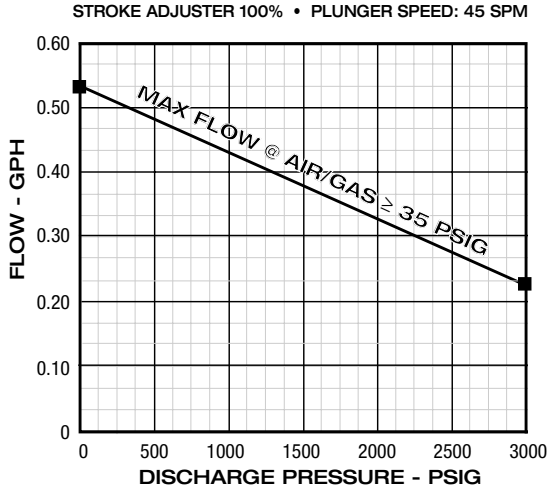
Standard Pneumatic Controller Configuration

performance specifications

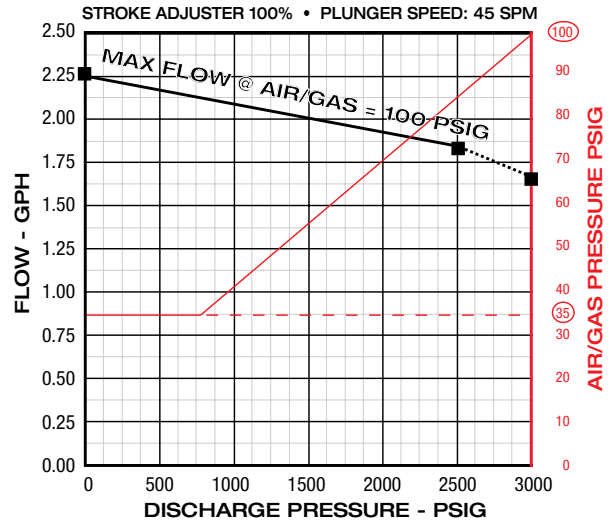
Model	Maximum Volume @500PSI GPH / LPH	Volume Per Stroke CC	Stroke Length INCH	Strokes Per Minute (Range)	Max Discharge Pressure PSIG / BARG	Max Air Consumption		Weight lbs/Kg
						@100 PSIG SCF Per Day	@6.9 BAR SCM Per Day	
WILROY™ 2M	.54 / 2.04	.8	1	1-45	3000 / 207	2100	59	27 / 12.2
WILROY™ 5M	2.25 / 8.51	3.2	1	1-45	3000 / 207	2100	59	27 / 12.2

WILROY™

Flow Performance Graph for Wilroy™ 2M

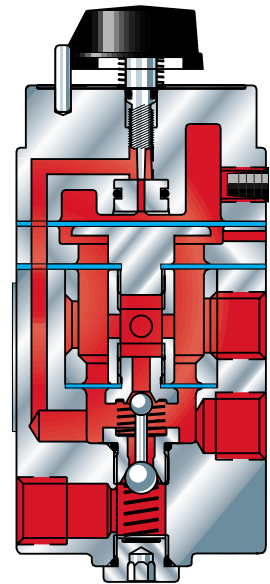


Flow Performance Graph for Wilroy™ 5M



Oscillamatic® PNEUMATIC CONTROLLERS

Featuring our latest addition to the Williams line—the MK XIIA controller which combines the corrosion resistance of 316 SS with the diaphragm-style spool design for ease of maintenance. The Williams “Oscillamatic” controllers are unique and precise pneumatic instruments. These units are designed to operate any pneumatic metering pumps or instrument requiring pilot pulses. The controllers accept a constant supply of air or gas pressure which produces pneumatic output pulses. The output signal is manually adjusted by a control rate valve. The controller, installed on the metering pump, provides the most accurate and reliable pneumatic control available today.



MODELS	SUPPLY RANGE		BODY MATERIAL	STROKE SPM	ELASTOMERS AVAILABLE	SPOOL STYLE
	PSI	BAR				
MK XIIA	30-100	2.0-6.9	316 SS	1-45	NEOPRENE	DIAPHRAGM



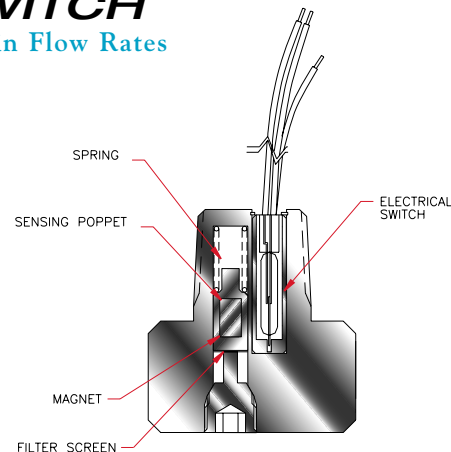
MK XIIA

WFS6704 MICRO FLOW SWITCH

For Detecting Increases & Decreases in Flow Rates



- Explosion Proof Class I, Division 1&2, Groups A, B, C, D Class II, Division 1&2, Groups E, F, G
- Fully Field Adjustable
- Operates in Any Orientation
- Miniature Compact Size
- Operating Temperature -40° F to +300° F (-40° C to +150° C)
- Operating Pressure 3000 PSIG (207 bar)
- Corrosion Resistant 316 Stainless Steel
- Shock & Vibration Resistant
- 1/4" NPT Connections



DRUM GAUGES Liquid Level/Injection Rate Gauge	
MODELS	MATERIALS
C779WS	Carbon Steel
C779WS-V	Carbon Steel - Vented
C779WS-SS	Stainless Steel
C779WS-SS-V	Stainless Steel - Vented
30216-CS-V-GPD-S	Carbon Steel
30216-S6-V-GPD-S	Stainless Steel



LIQUID CHEMICAL FILTERS 316 Stainless Steel		
MODELS	CONNECTION FILTER ELEMENT	OPTIONAL FILTER ELEMENT
LCF-10-25	1/4" NPT 25 micron, Std	1, 2, 8 microns or 100 mesh stainless steel screen
LCF-15-25	1/2" NPT 25 micron, Std	

PCV125 AL Pressure Regulator		
SENSITIVITY	FLOW RATES	MAX. PRESSURE
0.1 PSI	20SCFM	250 PSI
0.689kPa	.566m3/min	1724 kPa



AIR OR GAS DRYER-FILTERS Complete with Manual Drain Valve		
MODELS	FLOW RATES	MAX. PRESSURE
J-150	40SCFM	150 PSI
J-500	40SCFM	500 PSI



AUTOMATIC DUMP VALVES Used with the Air or Gas Dryer-Filters		
MODELS	BOWL	MAX. PRESSURE
ADV-150-A	Plastic	150 PSI
ADV-250-A	Steel	250 PSI



NOVATEC
FLUID SYSTEM S.A.

SOLUCIONES CONFIABLES

Sistemas y equipos para el manejo, control, dosificación y agitación de fluidos.

CALI • COLOMBIA

Calle 69 No. 7D Bis-15 - PBX: (57-2) 418 4006 - FAX: (57-2) 656 0052 / 6631997

BOGOTÁ D.C. • COLOMBIA

Cra. 14 No. 76-25 Edificio Centro Ejecutivo 76 Of. 501 - PBX: (57-1) 743 2303

www.novatecfs.com

mercadeo@novatecfs.com

PENNSYLVANIA: 201 Ivyland Road • Ivyland, PA 18974-0577 • TEL: (800) 235-3421 • (215) 293-0415 • FAX: (215) 293-0498 • E-mail: info@williamspumps.com

CANADA: 9357 45th Avenue • Edmonton, Alberta T6E 5Z7 • TEL: (800) 331-2674 • (780) 434-9471 • FAX: (780) 435-6560 • E-mail: edmonton@williamspumps.com

SINGAPORE: 18 Bedok Road South • Singapore 469276 • TEL: (65) 242-9182 • FAX: (65) 243-4249 • E-mail: singapore@williamspumps.com

www.williamspumps.com